



L SEALERS

ALIZÉ

Designed for shrink-wrapping piles of laundry, sheets, towels, clothes... up to 20 cm thick.



ALIZÉ 5060V3



ALIZÉ 6080

Slit film roll recommended

- Width 600 mm - 30µ perforated LDPE - ref. ARPG30-680096
- Width 800 mm - 30µ perforated LDPE - ref. ARPG30-680175

Uses



Laundry



Dry cleaner



Garment manufacturing



Hotel trade



- ✓ Impulse welding: no heating time required, less power consumption, no risk of burns.
- ✓ The welding frame is held in place by magnetic locking, then automatically opened at the end of the welding cycle (gas springs).
- ✓ Cutting the film by welding: no blade required.
- ✓ Spreader for easy insertion of linen into the film.
- ✓ Depth-adjustable loading tray to adjust the film to the size of the laundry pile.
- ✓ Comfort options to make work easier (reducing the risk of MSD⁽¹⁾).

⁽¹⁾ MusculoSkeletal Disorders



1 year warranty⁽²⁾

⁽²⁾ Except wear parts



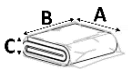

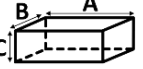




Compatible materials
Bio-sourced or compostable



Compliance with
CE standards

CLOTHING range

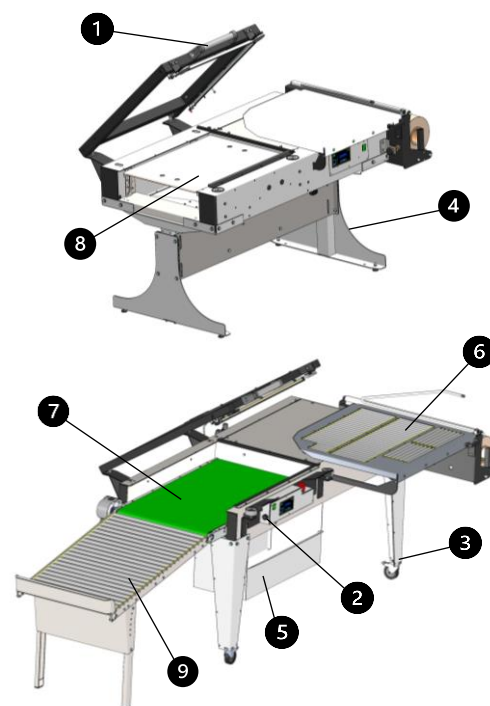
TECHNICAL DATA

MODELS							
ALIZÉ 5060V3 to install	50 x 60 x 20 cm (max)	650 mm (max)	160 x 112 x 101 cm	110 kg	830 W	230 V - 50/60 Hz	6 bars (mini)
ALIZÉ 5060V3 on feet	50 x 60 x 20 cm (max)	650 mm (max)	160 x 112 x 150 cm	126 kg	830 W	230 V - 50/60 Hz	6 bars (mini)
ALIZÉ 6080 on feet	60 x 80 x 20 cm (max)	800 mm (max)	200 x 105 x 165 cm	150 kg	830 W	230 V - 50/60 Hz	6 bars (mini)

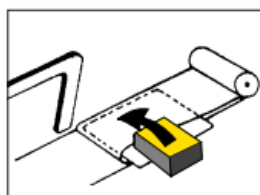
* Frame in open position

EQUIPMENT

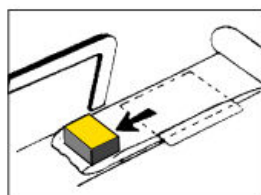
N°	DESCRIPTION	ALIZÉ 5060V3	ALIZÉ 6080
1	Manual welding frame closure	✓	✓
2	Pneumatic frame closure	option ref. L5060PST	option ref. L6080PST
3	Support feet with wheels	option ref. PIED5060V2	✓
4	Motorised feet (height adjustment)	option ref. PIEDMOT5060	option ref. PIEDMOT6080
5	Plastic film waste bin	option ref. 003700	✓
6	Roller loading tray	✗	option ref. PLAROUL6080
7	Motorised ejection conveyor (PVC belt)	option ref. TAPIS5060V2	option ref. TAPIS6080
8	Smooth decking	✓	✗
	Roller decking	option ref. PLATI5060V3	✓
9	Adjustable outfeed conveyor (with rollers)	option ref. CONVOY5060	option ref. CONVOY6080



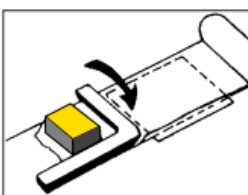
OPERATING PRINCIPLE



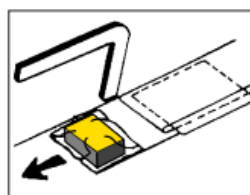
Introduction of the product into the slit film on the loading tray.



Positioning in the "L" of the welding frame.



Lowering the welding frame, making welding and cutting.



The bag is formed around the product.

POSSIBLE SETTINGS

- ✓ Adjustment of welding and cooling times via **soft keyboard**.
- ✓ Height-adjustable and tiltable decking on **ALIZÉ 5060**.
- ✓ Height-adjustable roller decking on **ALIZÉ 6080**.
(more information on page 4)

Need more information?



Contact the sales department

+33 (0)4 74 00 59 54



ZOOM SETTINGS & OPTIONS



SOFT KEYBOARD

- Digital display for settings and indication of data to the operator.
- Electronic regulation of welding and cooling times.
- Microprocessor-controlled impulse sealing system to adapt to different types of film (PP, PVC, LDPE) and rates of use.
- Time delay in the start-up of the ejection conveyor and adjusts the conveyor advance time.



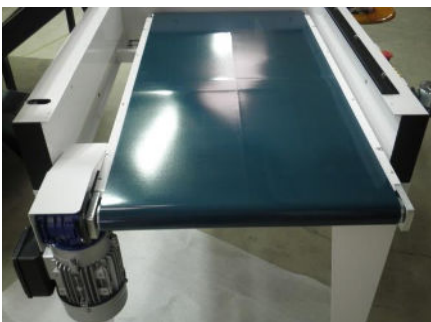
PNEUMATIC CLOSURE WITH TWO-HAND CONTROL

- Semi-automatic closing of the sealing frame by 2 push-buttons with two-hand control.
- Pneumatic gas spring to control the welding frame.
- Emergency stop button.



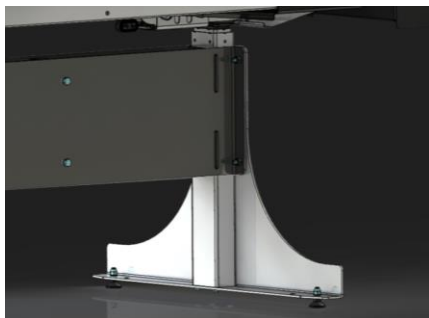
LOADING PLATFORM WITH FREE ROLLERS

- Ø 20mm PVC free rollers for bi-directional insertion.
- Low centre-to-centre distance to prevent product jamming.



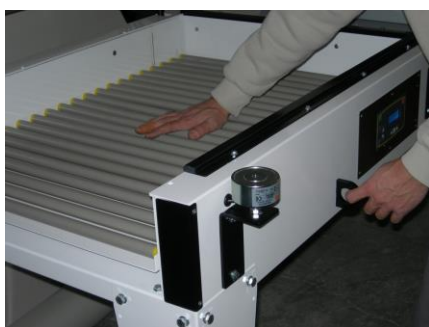
AUTOMATIC MOTORISED EJECTION CONVEYOR (PVC BELT)

- Motorised ejection conveyor with PVC belt guided centrally under the sealing frame for automatic package ejection at the end of the cycle.
- Driven directly by the geared motor (no belt).



MOTORISED FEET

- The height of the welder can be adjusted by 65 cm: from 84 cm to 149 cm (loading platform height).
- Allows you to adopt the correct posture when facing the ALIZÉ and to adapt the welder to your body size, thus avoiding MSD : backache, shoulder pain, etc.



ROLLER DECKING

- Receiving tray on free rollers.
- Mechanical height adjustment of the receiving tray.



ADJUSTABLE OUTLET CONVEYOR WITH FREE ROLLERS

- Ø 20 mm PVC free rollers.
- Low centre-to-centre distance.
- Height adjustable: automatic tilt adjustment.
- Width 60 cm - Length 100 cm.



WEAR PARTS ZOOM

ALIZÉ 5060V3

REF.	DESCRIPTION
SFPB00-000527	Sealing wire x2
SFPT00-000923	Teflon protection strip x2
SFPT00-690012	Teflon counter bar x2
SFA100-VERIN05	Complete gas spring 230N + ball joint
POE143-002131	Electronic regulation plate
POE249-002143	Flexible keyboard
SEPP00-690011	Silicone sealing counter pressor x2

ALIZÉ 6080

REF.	DESCRIPTION
SFP200-02563	Sealing wire x2
SFP100-02476	Teflon protection strip x2
SFP100-02561	Teflon counter bar x2
SFA100-VERIN05	Complete gas spring 230N + ball joint
POE143-002131	Electronic regulation plate
POE249-002143	Flexible keyboard
SFP300-002471	Silicone sealing counter pressor x2

Need more information?



Contact the sales department: +33 (0)4 74 00 59 54