



PACKER OF HANGING CLOTHING

H 602

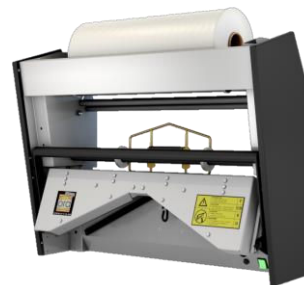
Developed over 30 years ago, these **robust and reliable** machines can protect and cover shirts, jackets, dresses... in a single operation.

Stand-mounted or wall-mounted

H 602
on stand



H 602
on wall



Recommended film roll



• Width 600 mm - 30µ perforated LDPE - ref. ARPG10-680095

Uses



Dry cleaner



Laundry



Garment
manufacturing



Hotel trade



- ✓ Reinforced structure, great for intensive use.
- ✓ Creation of a cover to fit the garment, with welding and cut to the shape of the shoulders.
- ✓ Space-saving wall-mounting or stand-mounting.
- ✓ Stand option + wheels option for easy movement of the packer.
- ✓ Comfort options to make work easier (reducing the risk of MSD⁽¹⁾).

⁽¹⁾ MusculoSkeletal Disorders



1 year warranty⁽²⁾

⁽²⁾ Except wear parts



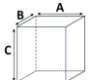



Compatible materials
Bio-sourced or compostable

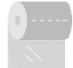




Compliance with
CE standards

CLOTHING range

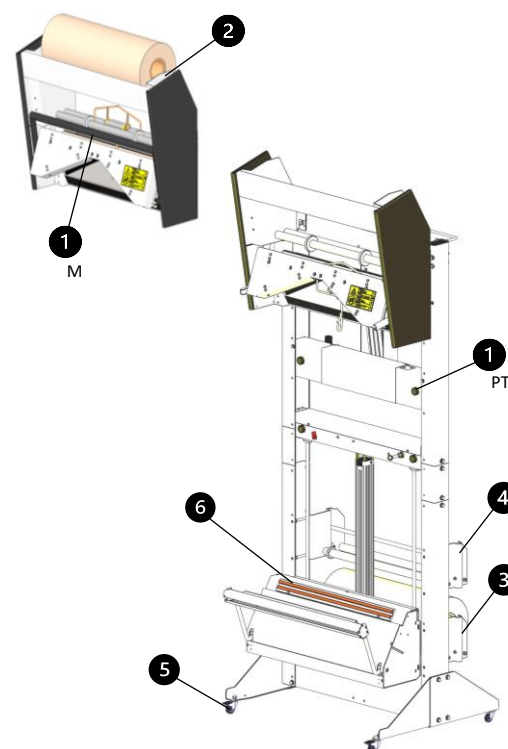
TECHNICAL DATA

	MODELS			
ON WALL	H 602 M	80 x 20 x 60 cm	33 kg	
ON STAND	H 602 B	85,2 x 70 x 208 cm	73 kg	6 bars (mini)
	H 602 BPST	85,2 x 70 x 208 cm	83 kg	

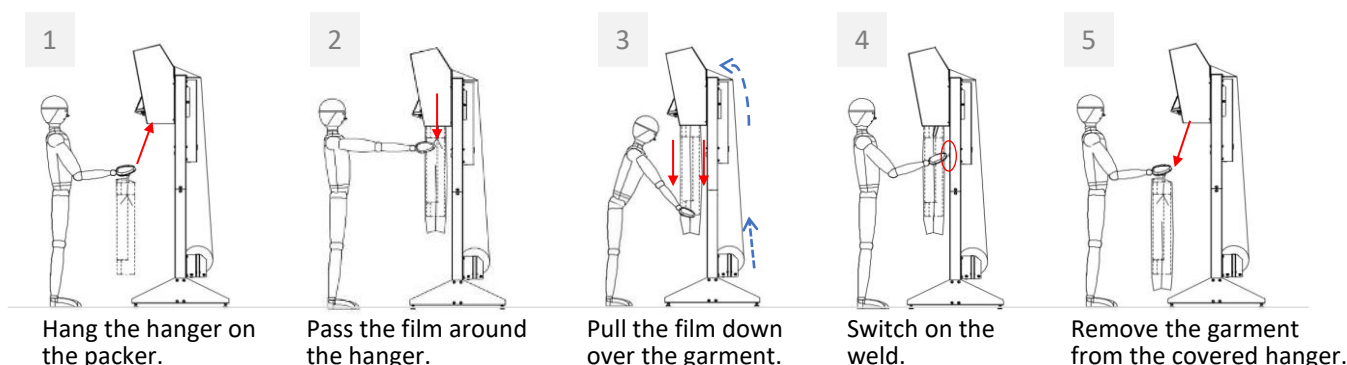
 600 mm (max)
  55 W
  230 V - 50/60 Hz

EQUIPMENT

N°	DESCRIPTION	ON WALL	ON STAND	
		H 602 M	H 602 B	H 602 BPST
1	Control (M = manual / PT = pneumatic timer)	M	M	PT
2	Integrated roll holder	✓	✓	✓
3	Stand with 1 integrated roll holder	option ref. BATH602/60	✓	✓
4	Additional roll holder for stand	✗	option ref. PBBATH6	
5	4 wheels (2 with brakes) for stand	✗	option ref. ROULETTES	
6	Bottom weld : - manual - manual with magnetic locking - pneumatic	✗	option ref. SB621 ref. SB621VM ref. SB621P	



OPERATING PRINCIPLE



SETTINGS & DEVELOPMENTS

- ✓ The **H 602 M** wall-mounted packer can be fitted on a stand or/and in a pneumatic version.
- ✓ Height-adjustable roll holder on stand (3 possible positions).
- ✓ Complete welding of the cover (top and bottom) thanks to the "bottom weld" option.

Need more information?



Contact the sales department

+33 (0)4 74 00 59 54