



TABLES FOR BSM

DESSMOT BSM

This table with motorised work surface, adjustable from a height of 76 cm to 156 cm by wired remote control, has been specially designed for the BSM sealing bars. It allows you to work with a stable plan, at any working height, and keep your workstation tidy, thereby reducing the risk of accidents.

motorised

DESSMOT BSM



THEY TRUST US

framatome



orano



International Atomic Energy Agency

Uses



Nuclear sector



Laboratory pharmaceutical and biological



Air filtration



- ✓ Plan height adjustable by wired remote control (from 76 cm to 156 cm in only 30 seconds).
- ✓ Mobile: easy to move thanks to its 4 wheels swivelling at 360° with brakes.
- ✓ Well-ordered work : BSM bars can be tidied up and stored.
- ✓ Man-height workstation to reduce the risk of MSD⁽¹⁾.

⁽¹⁾ MusculoSkeletal Disorders



1 year warranty⁽²⁾

⁽²⁾Except wear parts



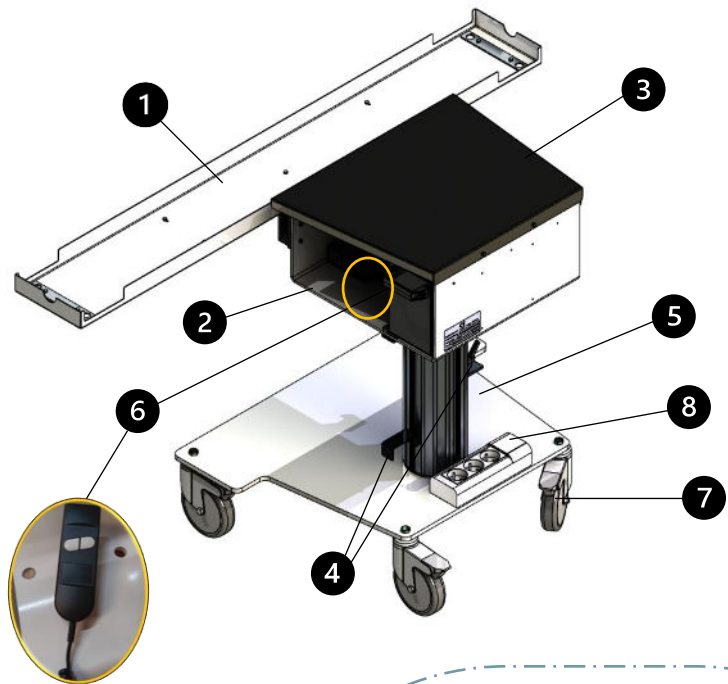
Compliance with CE standards

TECHNICAL DATA

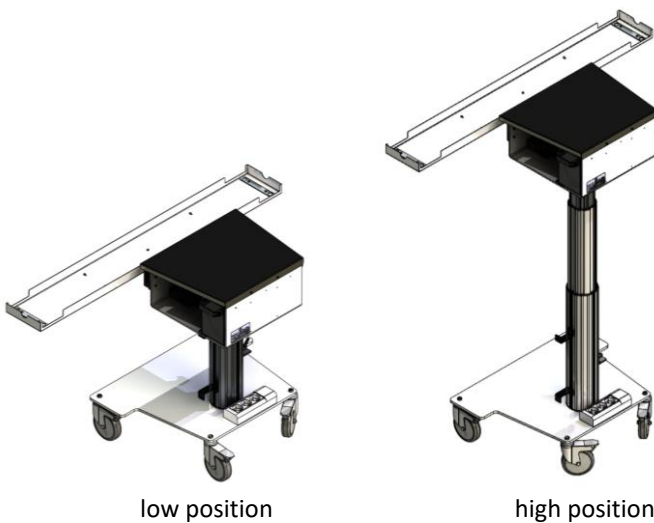
MODELS						
MOTORIZED DESSMOT BSM + KIT	> BSM 3S 600	90 x 61 x 76 cm				
	> BSM 3S 700	100 x 61 x 76 cm	mini : 76 cm	55 kg	750 W	115 V or 230 V
	> BSM 3S 800	110 x 61 x 76 cm	maxi : 156 cm			50/60 Hz
	> BSM 3S 1000	130 x 61 x 76 cm				

EQUIPMENT

N°	DESCRIPTION
1	Sealing bar holder
2	Accessories storage
3	Stainless steel plan (removable and interchangeable)
4	Power cable storage locations (sealing bar and generator cables)
5	Generator storage location
6	Height adjustment (by wired remote control)
7	4 wheels swivelling at 360° with brakes
8	Integrated power strip



Wired remote control
DESSMOT BSM



low position

high position

MADE-TO-MEASURE TABLES



Made-to-measure tables for BSM with welds > 1000 mm.

Please contact us

Need more information?



Contact the sales department: +33 (0)4 74 00 59 54