



TABLES FOR STM

DESSMANU - DESSMOT

These tables with height-adjustable work surfaces, which can be adjusted manually or electrically by wired remote control, are ideal for STM tongs. It allows you to work with a stable plan, at any working height, and keep your workstation tidy, thereby reducing the risk of accidents.

manual or motorised



DESSMANU
(manual)



DESSMOT
(motorised)

THEY TRUST US

framatome



orano



International Atomic Energy Agency

Uses



Nuclear sector



Laboratory pharmaceutical and biological



Air filtration



- ✓ Plan height adjustable manually by pin (from 98 cm to 148 cm, each 10 cm) or by wired remote control (from 86 cm to 166 cm in only 30 seconds).
- ✓ Mobile: easy to move thanks to its 4 wheels swivelling at 360° with brakes.
- ✓ Well-ordered work : STM tongs can be tidied up and stored.
- ✓ Man-height workstation to reduce the risk of MSD⁽¹⁾.

⁽¹⁾ MusculoSkeletal Disorders



1 year warranty⁽²⁾

⁽²⁾Except wear parts



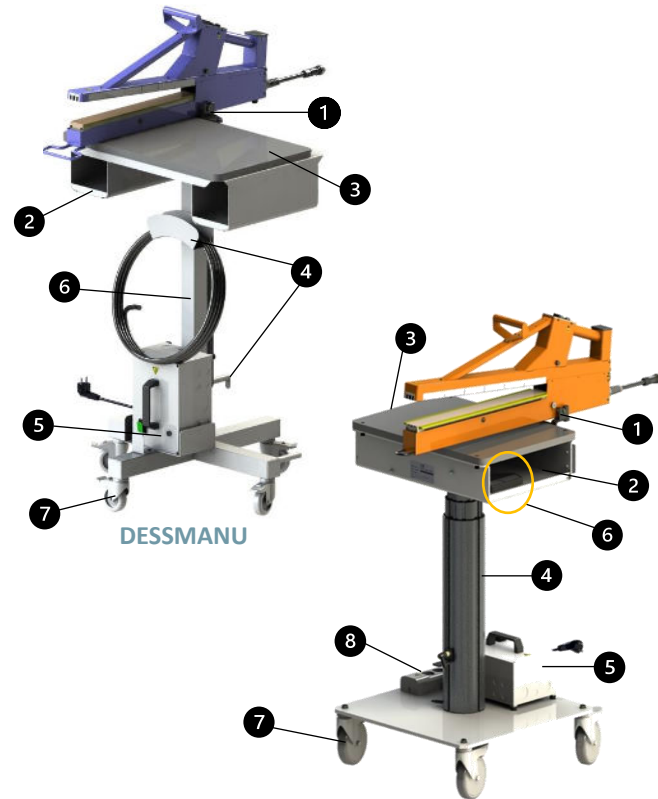
Compliance with CE standards

TECHNICAL DATA

	MODELS						
MANUAL	DESSMANU + KIT > STM 3S 400 (ref. KITDESSTM4) > STM 3S 500 (ref. KITDESSTM5)	60 x 60 x 98 cm	36,5 x 59 cm 46,5 x 59 cm	mini / maxi 98 cm / 148 cm	26 kg 27,5 kg		
	DESSMOT + KIT > STM 3S 400 (ref. KITDMSTM4) > STM 3S 500 (ref. KITDMSTM5)	65 x 65 x 86 cm	40 x 56 cm 52 x 56 cm	mini / maxi 86 cm / 166 cm	50 kg 52 kg	750 W	115 V or 230 V 50/60 Hz

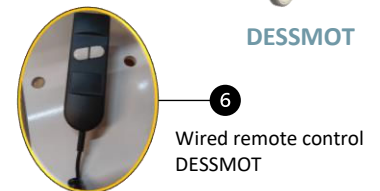
EQUIPMENT

N°	DESCRIPTION	DESSMANU	DESSMOT
1	Sliding tong wedge	✓	✓
2	Accessories storage	✓	✓
3	POM plan (removable and interchangeable)	✓	✓
4	Power cables storage locations (tong and generator cables)	✓	✓
5	Generator storage location	✓	✓
6	Height adjustment (manual or motorised)	pin	wired remote control
7	4 wheels swivelling at 360° with brakes	✓	✓
8	Integrated power strip	✗	✓



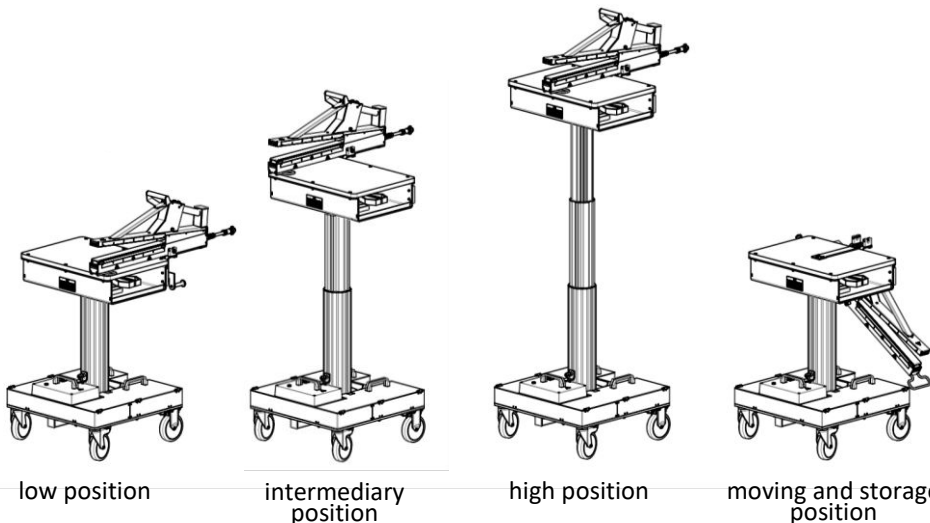
DESSMANU

DESSMOT



Wired remote control
DESSMOT

OPERATING PRINCIPLE



low position

intermediary
position

high position

moving and storage
position

Need more information?

Contact the sales
department



+33 (0)4 74 00 59 54